

# **ARCH<sup>®</sup> Cutting Tools**

## **Firearms**

**Your Complete Tool Making Authority<sup>®</sup>**  
**Product Spotlight**



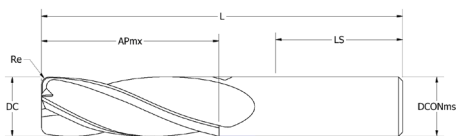
**Product Capabilities**

- Ranging from 0.125" - 1.00" diameters
- Can be used in roughing, profiling, slotting, and finishing applications
- Increased tool life — high performance coating that offers high wear resistance complimented by toughness and stability at high temperatures
- Significantly reduces chatter and improve surface finish
- Increase material removal rates by increased cutting depth and feed rates
- Machines gun frames, slide, upper & lower and trigger parts in the gun industry



Learn more about our Standard High Performance products at [archcuttingtools.com/standards](http://archcuttingtools.com/standards)

Contact:  
[ARCHCTSales@archgp.com](mailto:ARCHCTSales@archgp.com)  
888-390-2050



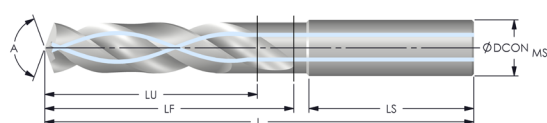
DC	DCONms	Re	APmx	LS	L	PRODUCT #
0.5000	0.5000	0.0300	1.5000	1.1250	3.0000	976-000-345
0.5000	0.5000	0.0600	1.5000	1.1250	3.0000	976-000-346
0.5000	0.5000	0.0900	1.5000	1.1250	3.0000	976-000-347
0.5000	0.5000	0.1200	1.5000	1.1250	3.0000	976-000-348

See page 47 of Collection for more Patriot End Mills



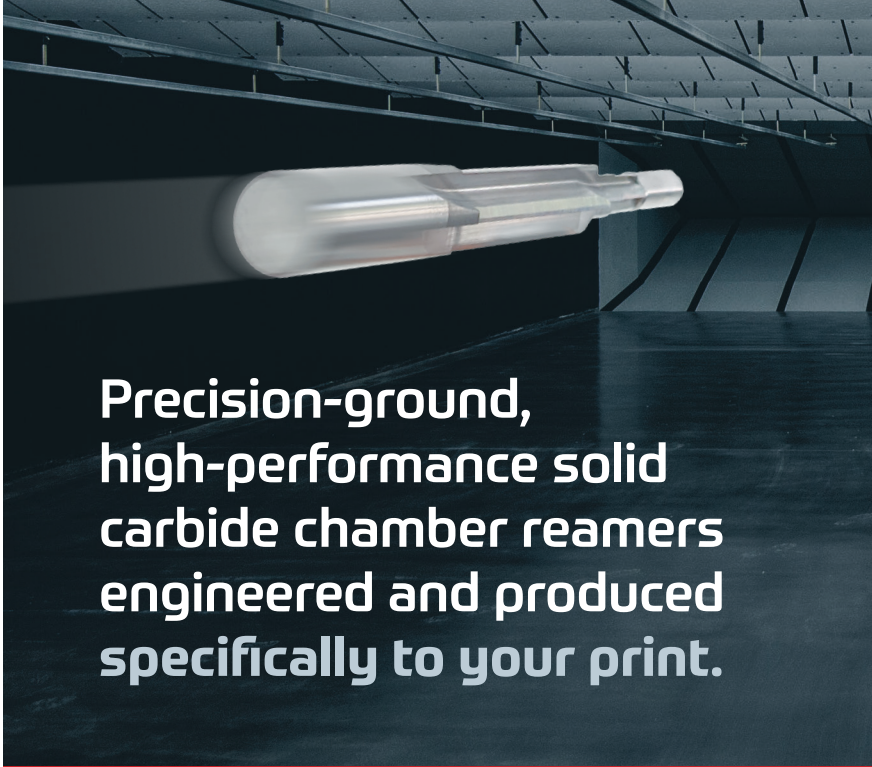
**Product Capabilities**

- Precision through coolant and low friction coating for excellent chip evacuation
- Low thrust force design with 140° point angle suited for multi-application drilling
- Longer tool life providing increased machine utilization and process security
- DIN 6535 HA cylindrical shank to support precision tool holding capabilities
- Close hole tolerances with a geometry suitable for all workpiece materials
- MQL (Minimum Quantity Lubrication) shank as standard on all sizes
- Available in 3xD, 5xD, and 8xD coolant through offering
- Offered in sizes of Letter, #, wire, metric and fractional
- Hole making the same parts as Patriot High Performance End Mills



DC	DC	DCONMS	A	LU	LF	LS	L	LD Ratio	PRODUCT #
1/2	0.5000	0.5512 (14mm)	140	1.6929	2.3622	1.7717	4.2126	3XD	928-000-205
1/2	0.5000	0.5512 (14mm)	140	2.3622	3.0315	1.7717	4.8819	5XD	928-000-443
1/2	0.5000	0.5512 (14mm)	140	4.3307	5.315	1.7717	7.1654	8XD	928-000-681

See page 147 of Collection for more Patriot Solid Carbide Drills



**Precision-ground,  
high-performance solid  
carbide chamber reamers  
engineered and produced  
specifically to your print.**

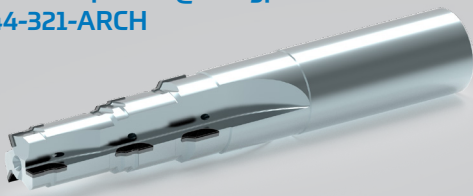
**“Fast is fine...  
but accuracy  
is everything.”**

**WYATT EARP**

## **ARCH** Specials

Learn more about our Engineered Solutions  
at [www.archcuttingtools.com/special-tools/](http://www.archcuttingtools.com/special-tools/)

Contact:  
[ARCHCTSpecials@archgp.com](mailto:ARCHCTSpecials@archgp.com)  
844-321-ARCH



Precision high-performance solid carbide chamber reamers provide key advantages for manufacturers high-volume firearms:

- American Made
- High spindle speeds
- Faster cycle speeds
- Greater durability
- Longer useful tool life
- The best repeatable accuracy available in the industry

**What makes our chamber reamer unique?:**

- The finest toolmakers and craftsmen in the world
- Finish & workmanship
- Premium coating & polishing operation
- Rougher—has chip breakers
- Finisher is 5 Flute Incremental Index
- We use only premium, top-of-the-line carbide
- Design details that happen because we make your reamers to your print
- Post-coating QA inspection

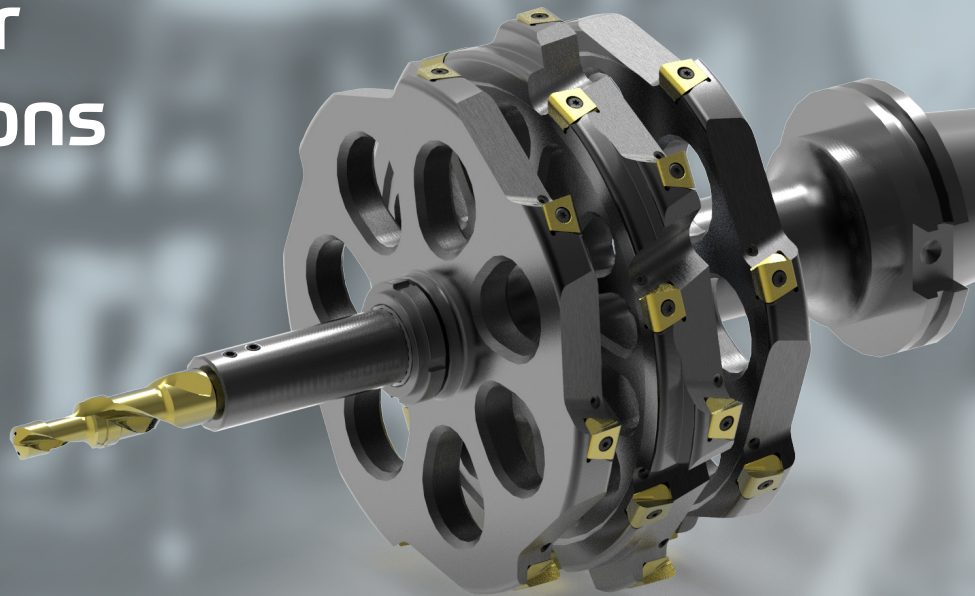
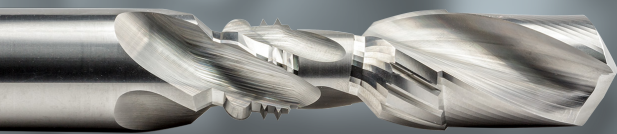


Check out our new Chamber Reamer!



# ARCH<sup>®</sup> Specials

Engineered For  
Your Applications



Ask us about:

**HOTSHOP!**

by **ARCH<sup>®</sup>**

The ultimate just in time solution:  
**HOTSHOP! By ARCH.**

When a *precision tool urgently* needs  
to be in hand, in days. No problem!

